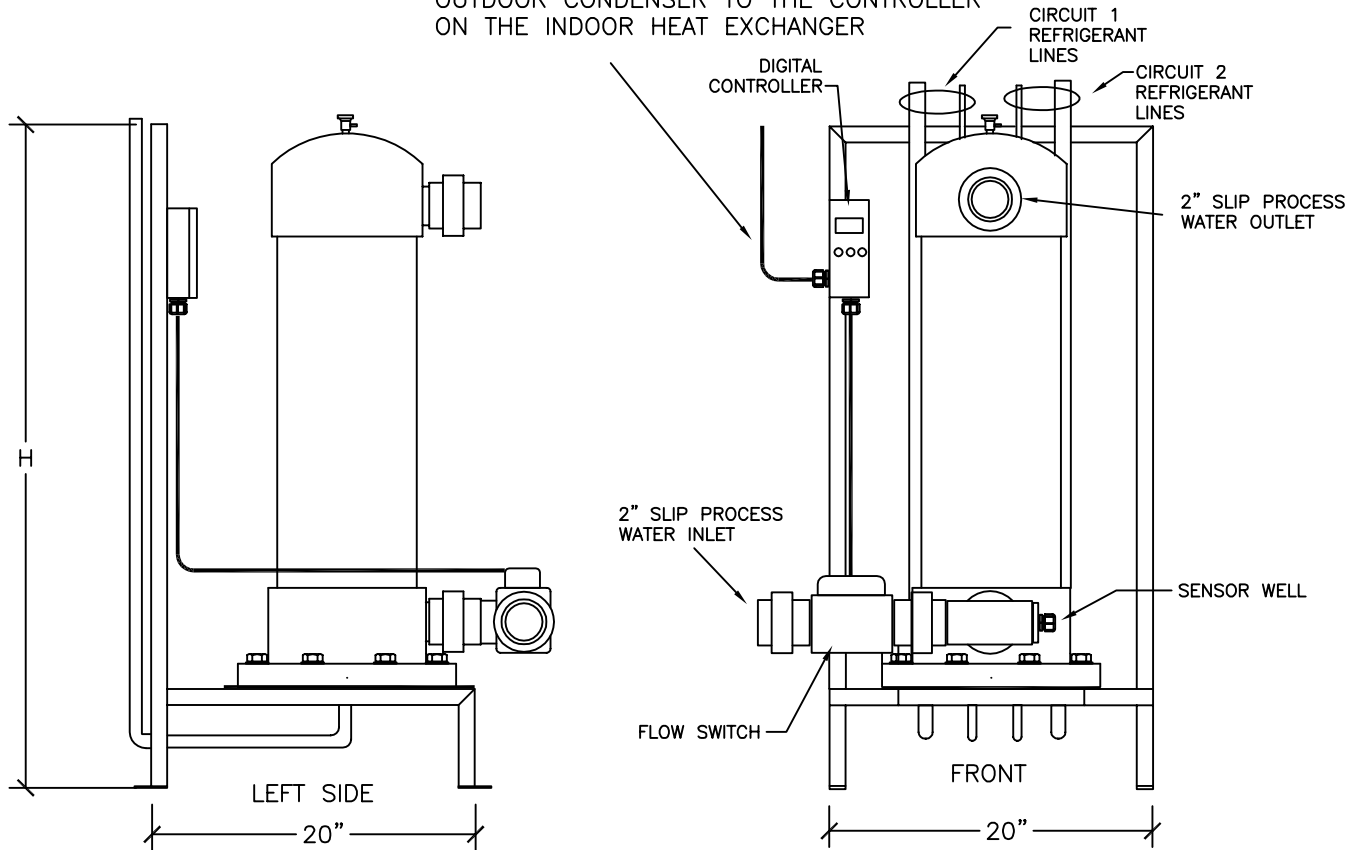


NOTE: FEILD WIRING
 INSTALL 24V 18/3 AWG WIRE FROM THE
 OUTDOOR CONDENSER TO THE CONTROLLER
 ON THE INDOOR HEAT EXCHANGER



50 PSI MAXIMUM WATER PRESSURE
 400 PSI MAXIMUM REFRIGERANT PRESSURE

HEAT EXCHANGER SPECIFICATIONS				
MODEL NO.	NOMINAL BTUH/TONS/KW	REFRIGERANT CONNECTIONS INLET/OUTLET (ODF)	WATER FLOW MIN*/MAX (GPM)	DIM "H"
HX-120-DXD	120K / 10 / 35	2 @ 3/8" / 1 1/8"	90/180	60
HX-140-DXD	140K / 12.5 / 41	2 @ 3/8" / 1 1/8"	90/180	60
HX-180-DXD	175K / 15 / 51.2	2 @ 1/2" / 1 3/8"	90/180	72
HX-240-DXD	220K / 20 / 64.4	2 @ 1/2" / 1 3/8"	90/180	88

* MINIMUM FLOW RATE AT 65 F AND ABOVE. AT 65 F AND BELOW 120 GPM MINIMUM

ALL DEMINSIONS ARE APPROXIMATIONS AND MAY CHANGE AT ANY TIME

aqualogic
 Aqua Logic, Inc.
 8268 Clairemont Mesa Blvd. Suite 302
 San Diego, CA 92111

TITLE: HX-120-DXD THRU
 HX-240-DXD HEAT
 EXCHANGERS

LAST
 UPDATE: 11-1-05

DATE: 4-22-05

FILE: HX-120,140,180,240-DXD

BY CE