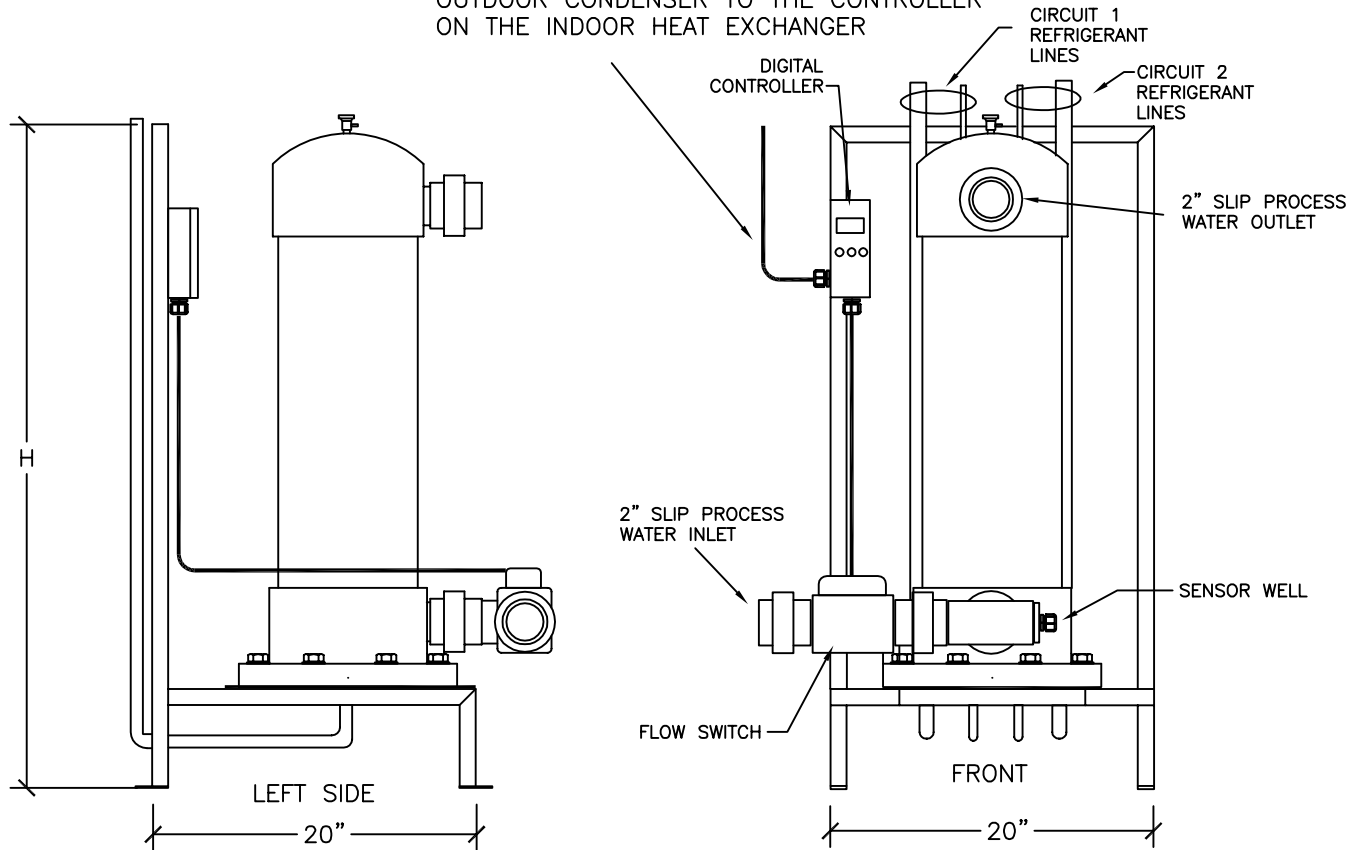


NOTE: FEILD WIRING
 INSTALL 24V 18/4 AWG WIRE FROM THE
 OUTDOOR CONDENSER TO THE CONTROLLER
 ON THE INDOOR HEAT EXCHANGER



50 PSI MAXIMUM WATER PRESSURE
 400 PSI MAXIMUM REFRIGERANT PRESSURE

HEAT EXCHANGER SPECIFICATIONS

MODEL NO.	NOMINAL BTUH/TONS/KW	REFRIGERANT CONNECTIONS INLET/OUTLET (ODF)	WATER FLOW MIN*/MAX (GPM)	DIM "H"
HX-120-DXD-HP	120K / 10 / 35	2 @ 3/8" / 1 1/8"	90/180	60
HX-140-DXD-HP	140K / 12.5 / 41	2 @ 3/8" / 1 1/8"	90/180	60
HX-180-DXD-HP	175K / 15 / 51.2	2 @ 1/2" / 1 3/8"	90/180	72
HX-240-DXD-HP	220K / 20 / 64.4	2 @ 1/2" / 1 3/8"	90/180	88

* MINIMUM FLOW RATE AT 65 F AND ABOVE. AT 65 F AND BELOW 120 GPM MINIMUM

ALL DEMINSIONS ARE APPROXIMATIONS AND MAY CHANGE AT ANY TIME

aquaLOGIC
 Aqua Logic, Inc.
 8268 Clairemont Mesa Blvd. Suite 302
 San Diego, CA 92111

TITLE: HX-120-DXD-HP THRU
 HX-240-DXD-HP HEAT
 EXCHANGERS

LAST
 UPDATE: 5-1-05

DATE: 7-16-04

FILE: HX-120,140,180,240-DXD-HP BY CE