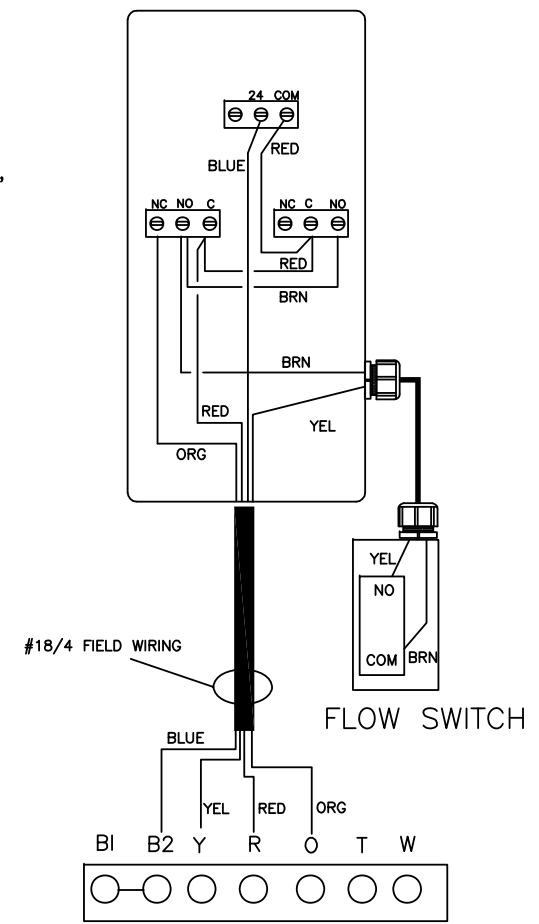


CONTROLLER WIRING



HEAT EXCHANGER SPECIFICATIONS							
COMPLETE HEAT PUMP MODEL NO.	INDOOR HEAT EXCHANGER MODEL NO.	NOMINAL HP / BTUH / KW	DIMENSIONS (IN)			PROCESS WATER MIN / MAX FLOW RATE (GPM)	REFRIGERANT CONNECTION SIZE HI / LOW (ODF)
			A	B	C		
HP-2 SPLIT	HX-24DXHP	2 / 24K / 7	17 1/2	18 1/2	28	20 / 40	3/8" / 5/8"
HP-3 SPLIT	HX-36DXHP	3 / 36K / 10.5	25	26	35	20 / 40	3/8" / 5/8"
HP-4 SPLIT	HX-48DXHP	4 / 48K / 14	32 1/2	33 1/2	43	30 / 60	3/8" / 1 1/8"
HP-5 SPLIT	HX-60DXHP	5 / 60K / 17.5	40	41	50	30 / 60	3/8" / 1 1/8"

NOTE: FOR WATER TEMPERATURE 55 °F AND BELOW, WATER FLOW RATE MUST BE CLOSE TO THE MAXIMUM.
 OPTIONS: SCH 80 AND CPVC MATERIAL SHELL CONSTRUCTION. 316 STAINLESS STEEL STAND AND HARDWARE.

aqualogic
 Aqua Logic, Inc.
 8268 Clairemont Mesa Blvd. Suite 302
 San Diego, CA 92111

TITLE: HX-24DXHP Thru
 HX-60DXHP DIMS